

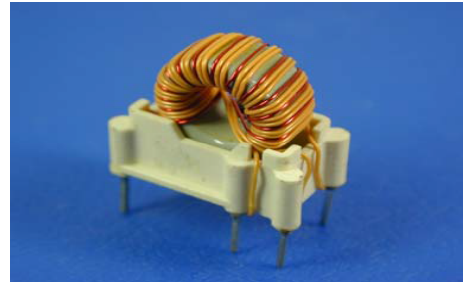
86T Series

THT CURRENT SENSE TRANSFORMERS



FEATURES

- 3000 Vrms GATE TO DRIVE WINDING TEST.
- USEFUL OPERATING FREQUENCY FROM 50 KHz TO 500KHz.
- MOST POPULAR WINDING CONFIGURATIONS.
- RECOGNIZED BY UL 60950-1



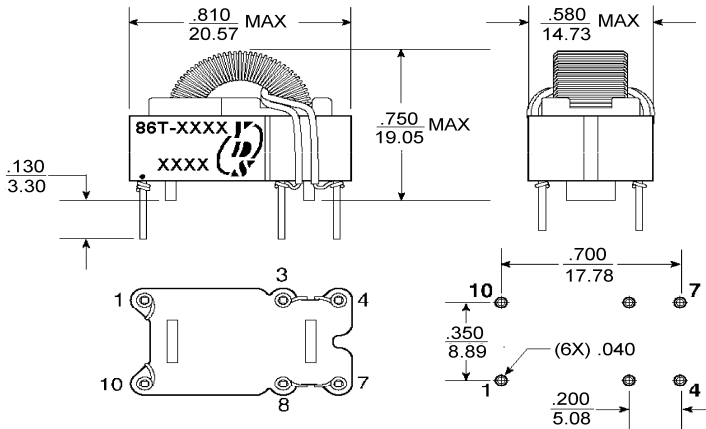
TEST CONDITIONS

- Inductance -----100KHz/200mV

ELECTRICAL SPECIFICATIONS @25°C-Operating temperature -30°C TO +130°C

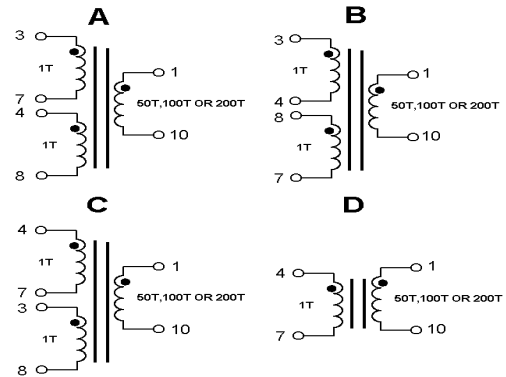
PART NUMBER	TURNS RATIO	SECONDARY INDUCTANCE (1-10)(mH MIN)	DCR SEC (1-10) (Ω MAX)	DCR SEC (1-10) (Ω MAX)	DCR SEC (1-10) (Ω MAX)	HI-POT (Vrms)	REFERENCE DATA				CALCULATION DATA	
							RT	Ipk (Amps)	DROOP (%)	MAX FLUX DENSITY	Kb	Req (mΩ)
86T-763A	1:1:200	76	2.8	2.15	2.15	3000	200	34	1.00	2000	17.12	0.9
86T-193A	1:1:100	19	1.4	2.15	2.15	3000	100	35	1.98	2000	68.49	0.8
86T-502A	1:1:50	5	0.7	2.15	2.15	3000	15	36	1.19	2000	273.97	0.75

MARKINGS AND DIMENSION



SUGGESTED PCB HOLE PATTERN

SCHEMATIC



Part Number:

86T - 763 A NL
A B C D

A:Series

B:Inductance

C:Schematics

D:RoHS Version

Dimensions:inches/mm

Unless otherwise specified, all tolerances are $\pm .010/\pm 0.25$